



# Installation instructions, accessories

Volvo Car Corporation Gothenburg, Sweden

Instruction No	Version	Part. No.
31454342	1.0	31428863

## End pipes, double, integrated



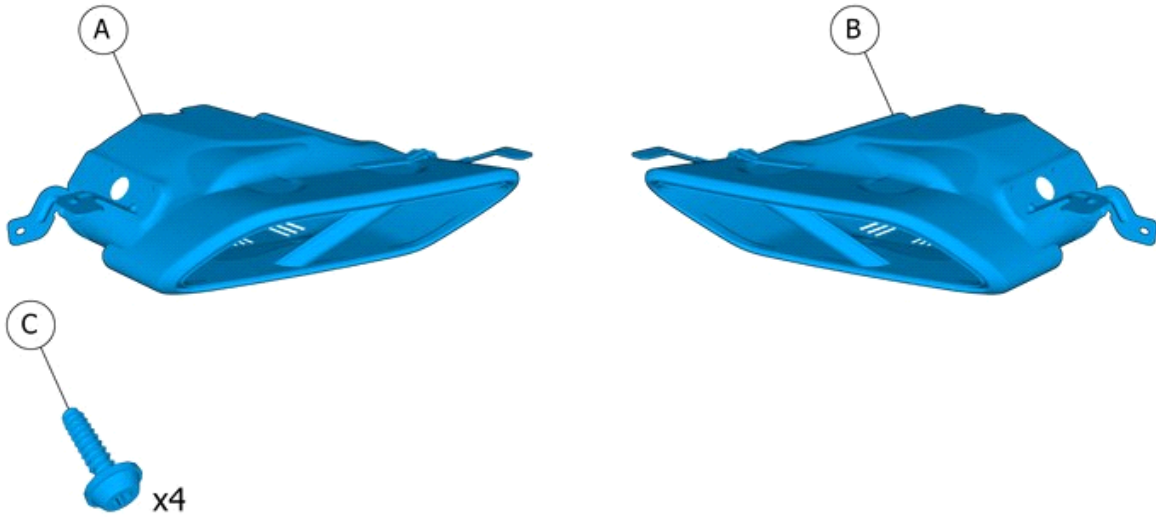
# Installation instructions, accessories

Volvo Car Corporation Gothenburg, Sweden

## Equipment



IMG-263203



IMG-416430



# Installation instructions, accessories

Volvo Car Corporation Gothenburg, Sweden

## Information

1

Read through all of the instructions before starting installation.

Notifications and warning texts are for your safety and to minimise the risk of something breaking during installation.

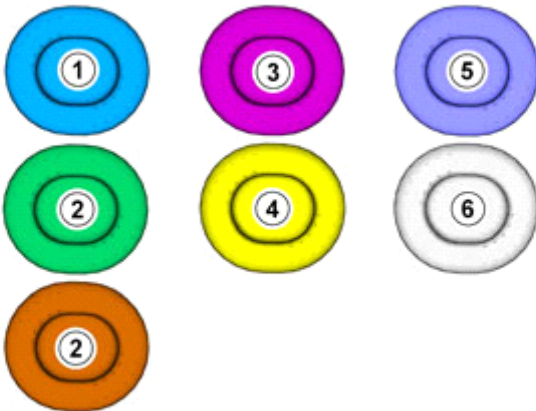
Ensure that all tools stated in the instructions are available before starting installation.

Certain steps in the instructions are only presented in the form of images. Explanatory text is also given for more complicated steps.

In the event of any problems with the instructions or the accessory, contact your local Volvo dealer.

## Color symbols

2



IMG-363036

### Note!

This colour chart displays (in colour print and electronic version) the importance of the different colours used in the images of the method steps.

- Used for focused component, the component with which you will do something.
- Used as extra colors when you need to show or differentiate additional parts.
- Used for attachments that are to be removed/installed. May be screws, clips, connectors, etc.
- Used when the component is not fully removed from the vehicle but only hung to the side.
- Used for standard tools and special tools.
- Used as background color for vehicle components.

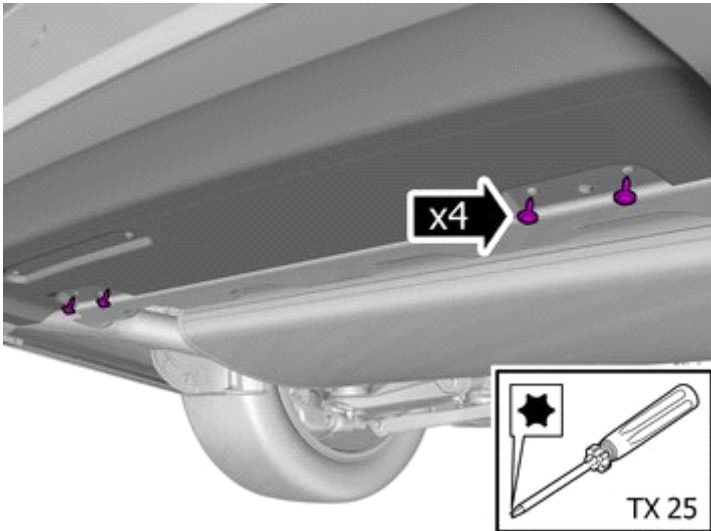
## Removal



# Installation instructions, accessories

Volvo Car Corporation Gothenburg, Sweden

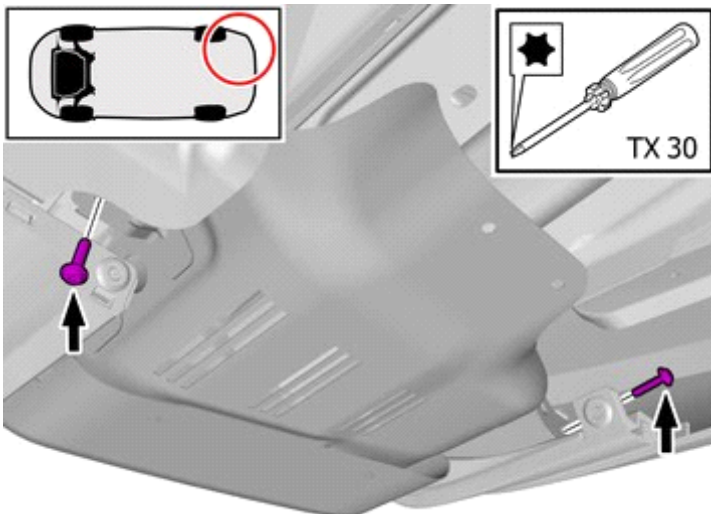
3



IMG-410355

Remove the screws.

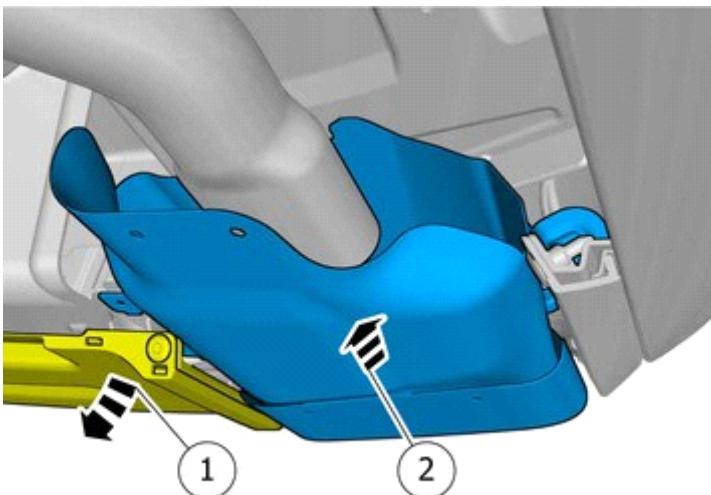
4



IMG-416457

Remove the screws.

5



IMG-416455

Fold marked part to one side.

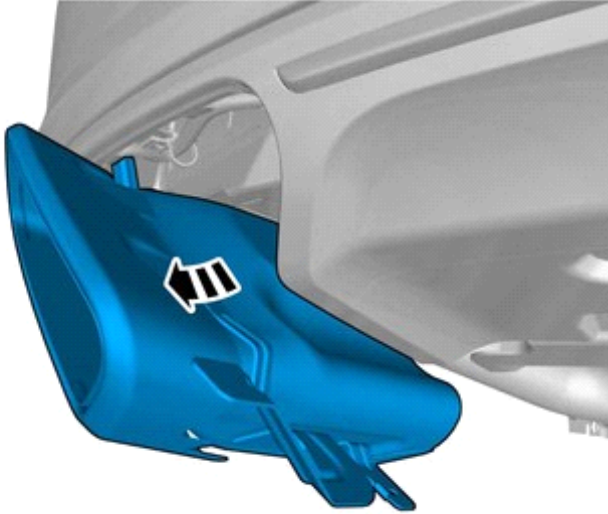
Remove the part carefully



# Installation instructions, accessories

Volvo Car Corporation Gothenburg, Sweden

6



Remove the marked part.

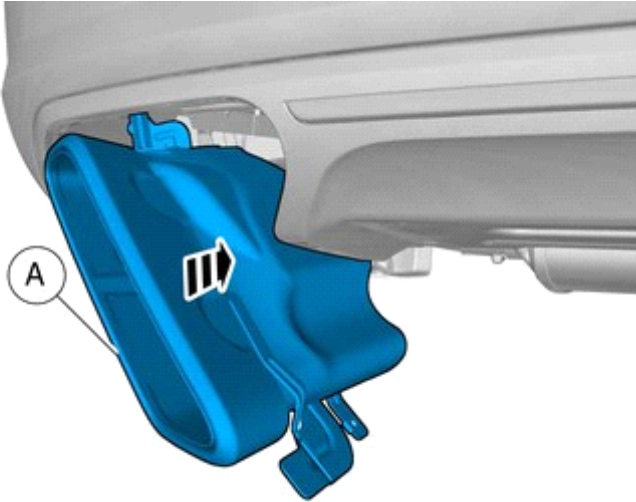
IMG-416456

7

Repeat the steps when removing on opposite side.

## Accessory installation

8



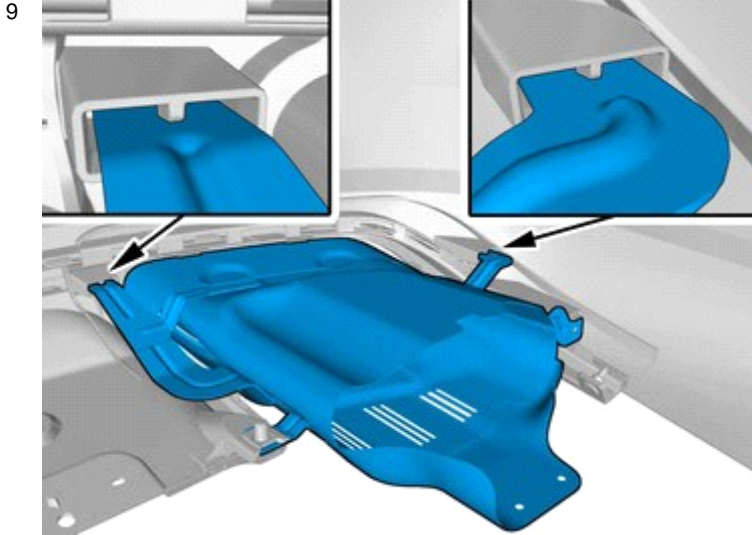
Install component that comes with the accessory kit.

IMG-416462



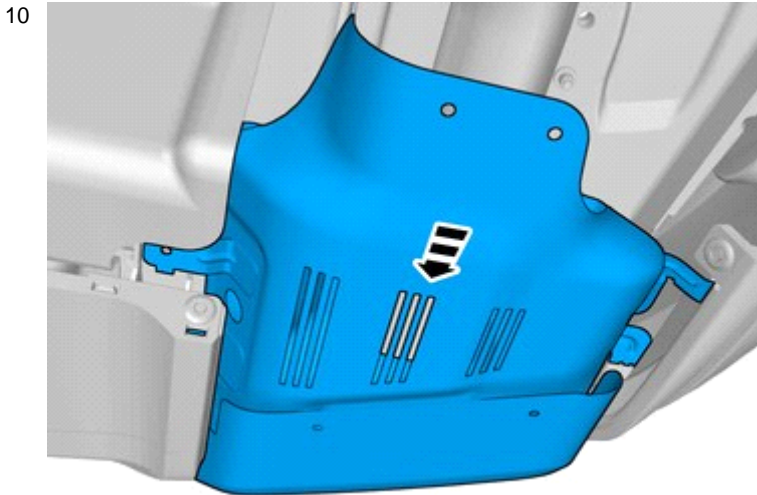
# Installation instructions, accessories

Volvo Car Corporation Gothenburg, Sweden



IMG-416465

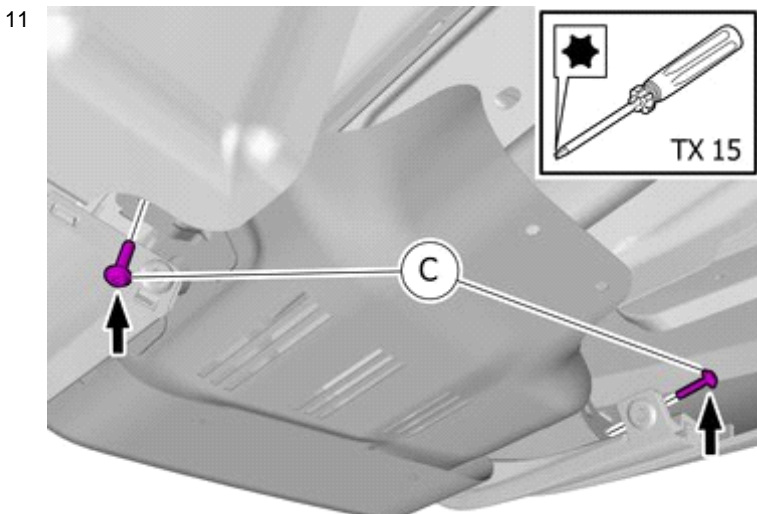
**Note!**  
Orientation view



IMG-416468

**Note!**  
Note the position.

Install component that comes with the accessory kit.



IMG-416464

Install component that comes with the accessory kit.

Tighten the bolts.



# Installation instructions, accessories

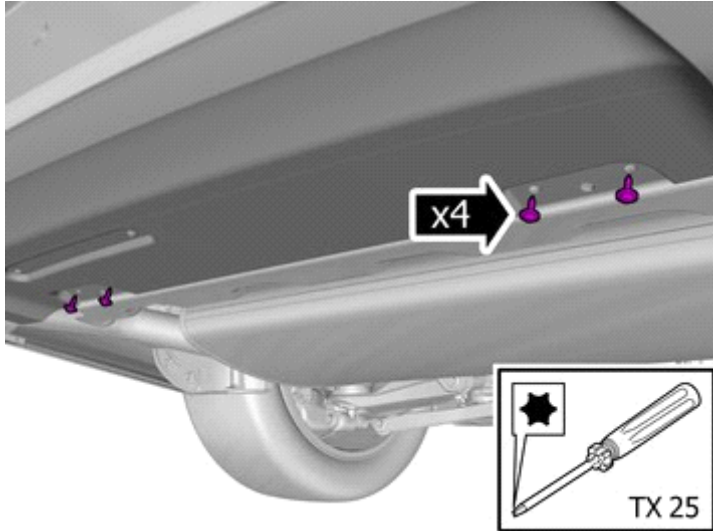
Volvo Car Corporation Gothenburg, Sweden

12

Repeat the steps when installing accessories on opposite side.

## Installation

13



Install the screws.

IMG-410355